



TRANSPORTATION MANAGEMENT SIMPLIFIEDTM



ADVANTAGES FOR SHIPPERS

A WEB-BASED TRANSPORTATION MANAGEMENT SYSTEM

Manage all your shipping needs with one transportation solution. **Free yourself from the phone calls, countless emails and multiple websites** you're currently accessing to take care of your shipping.

WIN™ is the **COST-EFFECTIVE**, web based tool that enables you to manage all your North American shipping in one place.



SIMPLIFIED SHIPMENT PROCESSING:

By handling all aspects of your shipping process in WIN, you **SAVE TIME AND MONEY** when sourcing competitive rates, finding carriers, executing loads and analyzing carrier performance.



VIRTUALLY ANY LANE & ANY MODE
WIN™ HAS YOU COVERED ALL ACROSS NORTH AMERICA



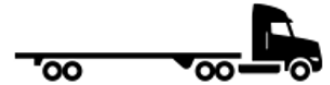
TRUCKLOAD



LTL



FLATBED



BULK/ISO TANK



REEFER

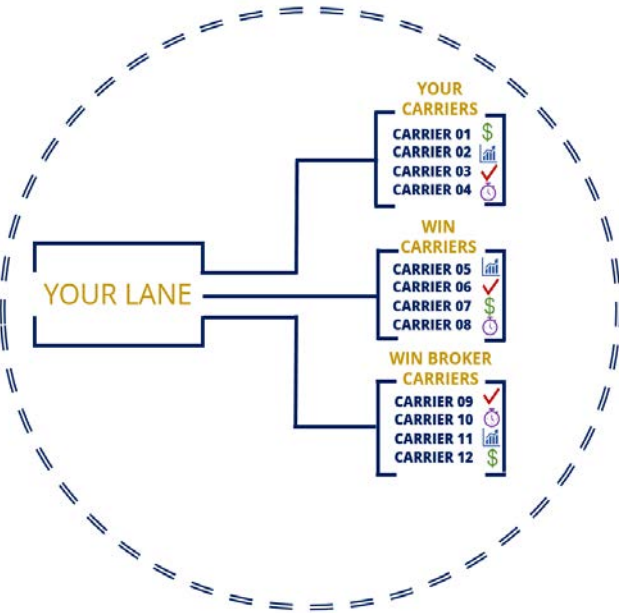


INTERMODAL



MORE OPTIONS

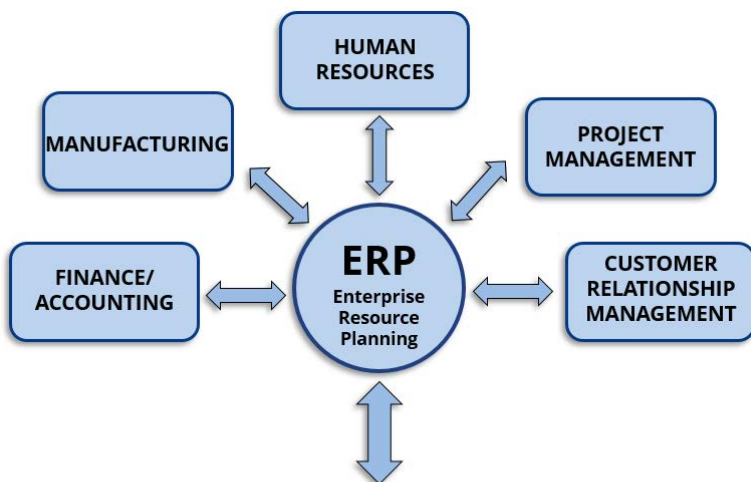
Transact with all of **YOUR EXISTING CARRIERS** or **FIND NEW WIN CARRIERS** to help cover current or new lanes.



SPOT QUOTE FEATURE

New lane, or need more capacity on an existing lane? WIN spot quote feature will help you **GET THE CAPACITY YOU NEED.**

Access immediate capacity with all requests and responses organized in one place.



TRANSACTION WITH

EXISTING CARRIERS



NEW WIN™ CARRIERS

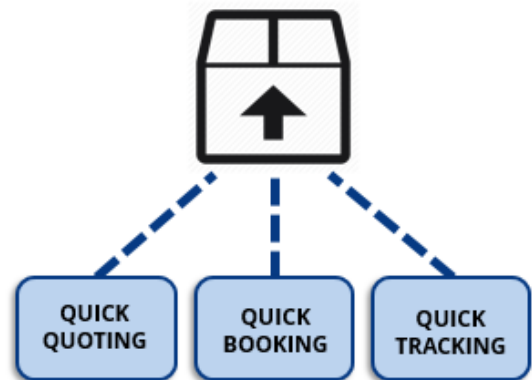


EASY CARRIER SELECTION

For any shipment you input, WIN will generate a route guide with multiple carrier options to choose from. This includes a mix of your existing carriers, WIN carriers, and carriers available through our WIN Broker Network.

You **CHOOSE THE CARRIER THAT BEST FITS YOUR NEEDS** based on rates, transit time or carrier preference.

SPOT QUOTE FEATURE



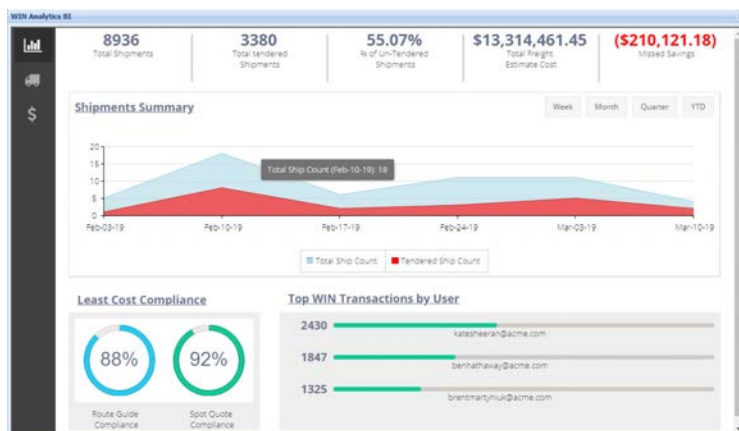
SYSTEMS/TECHNOLOGY INTEGRATION

Most importantly, WIN is a solution that is **EASY TO SET UP, EASY TO USE and DOESN'T BREAK YOUR BUDGET.**

We utilize **OUR IT RESOURCES AND TECHNOLOGY** to seamlessly integrate with your Enterprise Resource Planning system (ERP) or any other internal systems that you are currently using, in just a matter of days. After integration, we provide training and on-going technical support.

REPORTING & VISIBILITY

WIN enables shippers to have a **COMPLETE 360° VIEW** of all of their shipments, and all of their carrier/ broker relationships. WIN can generate reports on carrier performance allowing you continuous monitoring to ensure they are providing the best value, including cost and on-time delivery.



CUSTOMER SUPPORT

Any new WIN customer will be assigned a **DEDICATED WIN BUSINESS ANALYST**. This professional will help with the WIN on-boarding process and be available for assistance in any training, customization, or questions that the customer has. The analyst will support the customer throughout their lifetime with WIN, and will help the customer maximize the benefits they receive from WIN.

SHIPPERS, GET STARTED NOW!

To learn more about WIN, sign up for a personalized demonstration at gowithwin.com/demo, email info@gowithwin.com, or call **855.946.4739**

NOT A SHIPPER, BUT WANT TO OFFER WIN™ TO YOUR CLIENTS...?

You can easily add WIN to the comprehensive set of solutions you already provide, letting you become an end-to-end systems provider for your clients. Offering WIN as a complement to your existing solutions suite is virtually effortless, the WIN team provides you and your client with everything you need, including but not limited to:

- Personalized system demonstrations
- Training and ongoing support
- Quick integration into existing ERP systems with Jitterbit® (purchased and installed by WIN)

For more information visit gowithwin.com or call 855.946.4739

